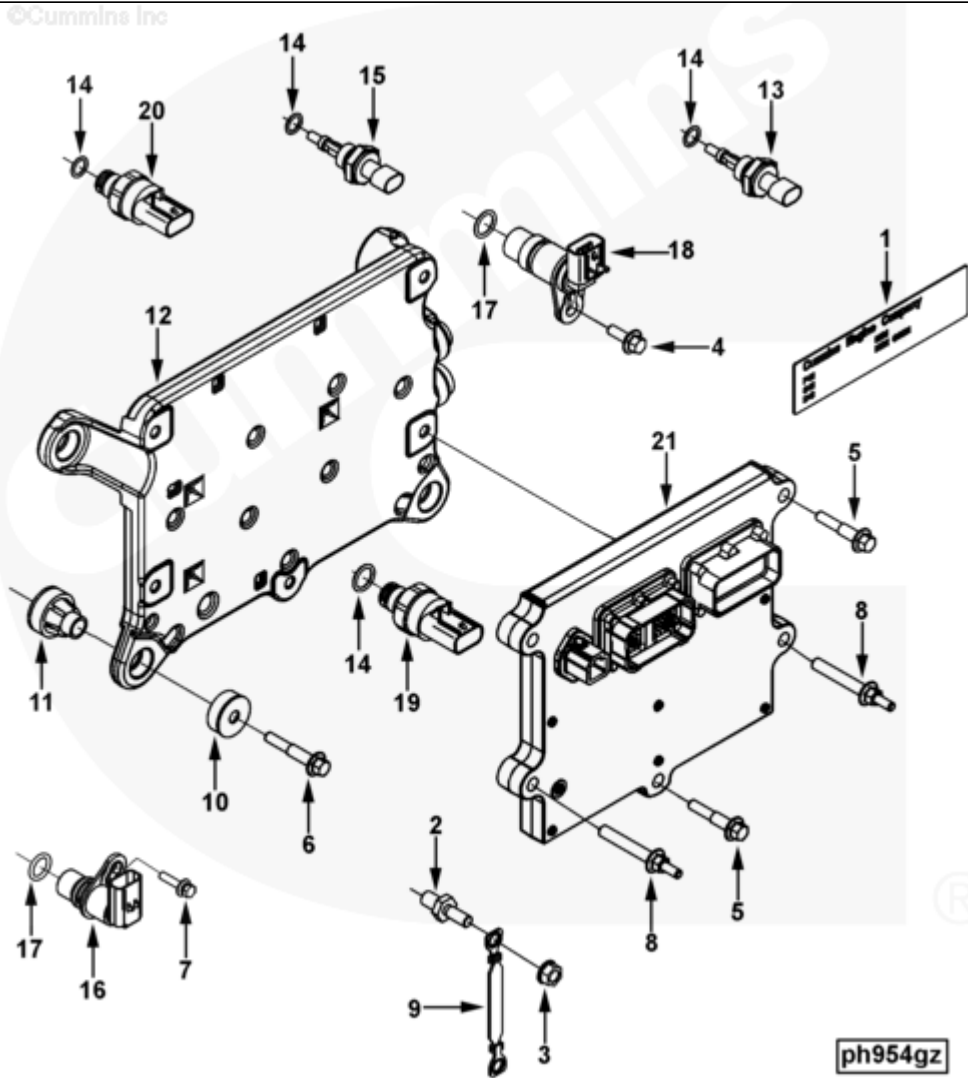




Parts Catalog - Option Detail

Electronic Parts Catalog - Option Detail				
Option	Group	Graphic	Film Card	Date
PH9153-01	05.06.1	ph954gz	Z	18-JUL-05
Engines	6C8.3, C GAS PLUS CM556, G8.3, G8.3 CM558, GTA8.3 CM558, ISC CM2150, ISC CM554, ISC CM850, ISC8.3 CM2250, ISC8.3 G CM2180 C101, ISL CM2150, ISL CM554, ISL CM850, ISL G CM2180, ISL8.9 CM2150 L110, ISL8.9 CM2880 L112, ISL9 CM2150 SN, ISL9 CM2250, ISL9 CM2350 L101, ISL9 CM2350 L111, ISLE4 CM850, L GAS PLUS CM556, L8.9, L8.9 L121, L8.9G CMOH2.0 L125B, L9 CM2350 L116B, L9 CM2350 L119B, L9 CM2350 L120C, L9 CM2350 L123B, L9.3 L105, L9.5 L117, L9N CM2380 L124B, QSC8.3 CM2250, QSC8.3 CM2880 C102, QSC8.3 CM554, QSC8.3 CM850(CM2850), QSL9 CM2250, QSL9 CM2250 L115, QSL9 CM2350 L102, QSL9 CM2350 L107, QSL9 CM2350 L118, QSL9 CM2350 L122, QSL9 CM554, QSL9 CM850(CM2850), QSL9 G CM558, QSL9 M CM2250 L106, QSL9.3 CM2880 L113			



SMALL | MEDIUM | LARGE

Cart	Ref No	Part Number	Part Description	Required	Remarks

View My Cart

		PH9153-01	Engine Control Module		MR - MODULE, ENGINE CONTROL... (More)
					Engine Control System: P1 I
					ECM Version: CM850
					Module Location: 6.8
					Ambient Air Pressure Sensor
					Included: No
					Intake Manifold Temp Sensor
					Manufacturer: High Stat
<input type="checkbox"/>	1	3609867	Dataplate	1	
<input type="checkbox"/>	2	3682941	Studded Hexagon Cap Screw	1	
<input type="checkbox"/>	3	3900589	Hexagon Flange Nut	1	M8 X 1.25
<input type="checkbox"/>	4	3900630	Hexagon Flange Head Cap Screw	1	M8 X 1.25 X 20
<input type="checkbox"/>	5	3900678	Hexagon Flange Head Cap Screw	2	M8 X 1.25 X 40.
<input type="checkbox"/>	6	3901445	Hexagon Flange Head Cap Screw	3	M8 x 1.25 x 45
<input type="checkbox"/>	7	3913638	Hexagon Flange Head Cap Screw	1	M6 X 1.00 X 16.
<input type="checkbox"/>	8	3944816	Studded Flange Cap Screw	4	M8 X 1.25 X 50
<input type="checkbox"/>	9	3954204	Ground Wire	1	
<input type="checkbox"/>	10	3955219	Vibration Isolator	4	
<input type="checkbox"/>	11	3955220	Vibration Isolator	4	
<input type="checkbox"/>	12	3970204	Cooler Plate	1	
<input type="checkbox"/>		4088750	Temperature Sensor	1	Coolant Or Oil Or Fuel.
	13	4088751	Temperature Sensor	1	
	14	4921574	O-Ring Seal	1	
<input type="checkbox"/>		4088832	Temperature Sensor	1	Coolant or Intake Manifold
	14	4921574	O-Ring Seal	1	
	15	4088833	Temperature Sensor	1	Coolant or Intake Manifold
		4921684	Position Sensor	1	Camshaft

<input type="checkbox"/>					
	16	4921685	Position Sensor	1	
<input type="checkbox"/>	17	4928599	O-Ring Seal	1	
<input type="checkbox"/>		4921686	Position Sensor	1	Crank
<input type="checkbox"/>	17	4928599	O-Ring Seal	1	
	18	4921687	Position Sensor	1	
<input type="checkbox"/>		4921744	Pressure Sensor	1	Oil
	14	4921574	O-Ring Seal	1	
	19	4921745	Pressure Sensor	1	
<input type="checkbox"/>		4921748	Pressure Sensor	1	Intake Manifold
	14	4921574	O-Ring Seal	1	
	20	4921749	Pressure Sensor	1	
<input type="checkbox"/>	21	4921797	Electronic Control Module	1	